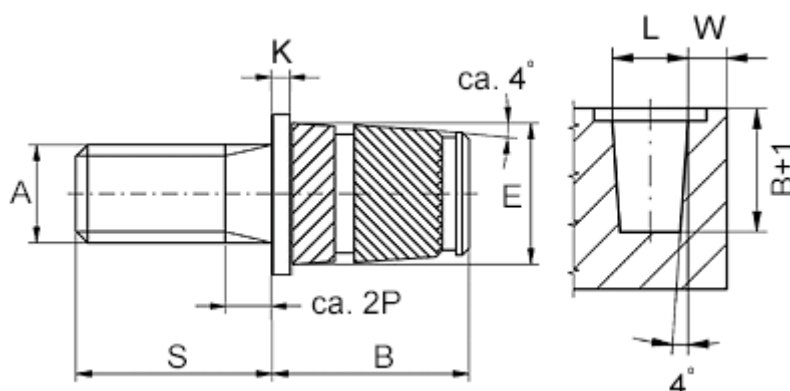


Data Sheet



Article number: 12859100050820
Description: KLEE-coil 859 100 050.820
M5 Brass

Measures



| | |
|----------------------------------|----------|
| Flange diameter E1 | = 9.0 |
| Flange height | = 1.0 |
| Male thread A | = M5x0,8 |
| Min distance to edge W | = 2.0 |
| Mounting length B | = 10.0 |
| Outer diameter E | = 7.2 |
| Pin length S | = 6 |
| Recommended bore diameter W +0.1 | = 6.9 |